

**PUMP INFORMATION**

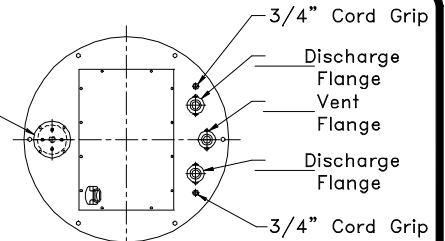
- Type:  Sump Pump(s)  
 Grinder Pump(s)  
 Non-Clog Pump(s)

Model NO: \_\_\_\_\_  
 Rating: \_\_\_\_\_ GPM \_\_\_\_\_ TDH  
 Motor: \_\_\_\_\_ HP \_\_\_\_\_ RPM  
 Elec: \_\_\_\_\_ PH \_\_\_\_\_ HZ \_\_\_\_\_ v  
 Elec: \_\_\_\_\_ FL AMPS

**DISCHARGE PIPE**

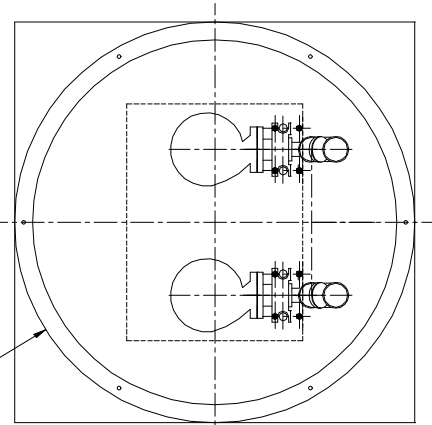
- 3" 304 Stainless Steel  
 3" Sch40 Galvanized Steel  
 3" Sch80 PVC Pipe

Inspection Plate with (4) 1/2" Cord Grips and 1" Coupling

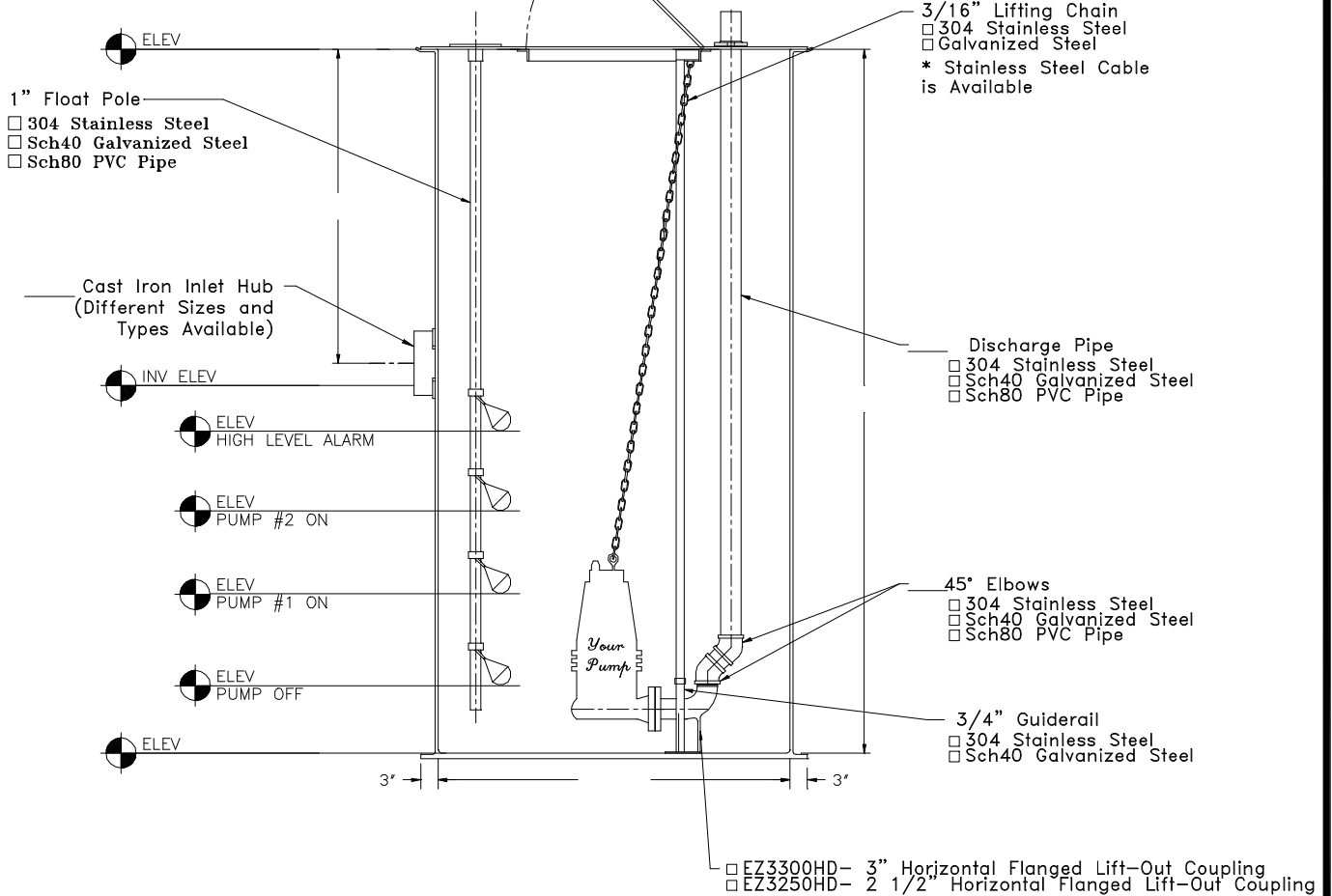


**Gas Tight Hatch Cover**

- Fiberglass  Aluminum  Steel



- Anti-Floatation Flange  
 Fiberglass Encapsulated  
 ASTM A-36 Steel  
 Round Fiberglass  
 None



EZ-Out Prefabricated  
 Fiberglass Lift Station  
 Duplex-EZ3300HD-EZ3250HD  
 Top Discharge No Valves

Scale: None  
 Drawn By: *KM*  
 App'd By: \_\_\_\_\_  
 Date: 04/21/03

This print is and contains confidential proprietary information owned exclusively by TOPP INDUSTRIES, INC. It is furnished on a strictly confidential basis. This restriction includes, but is not limited to the condition that this print will not only be used as a record or to identify or inspect parts or for other information purposes and will not be used to manufacture or procure the manufacture of the items shown in this print by any other source than TOPP INDUSTRIES, INC.

Highway 25 North P.O. Box 420  
 Rochester, IN 46975  
 Phone: 800/354-4594 Fax: 574/223-6106

Supersedes Prints  
 Prior To: 04/21/03

Reference No: 16764

**Revisions**

A	First Released.